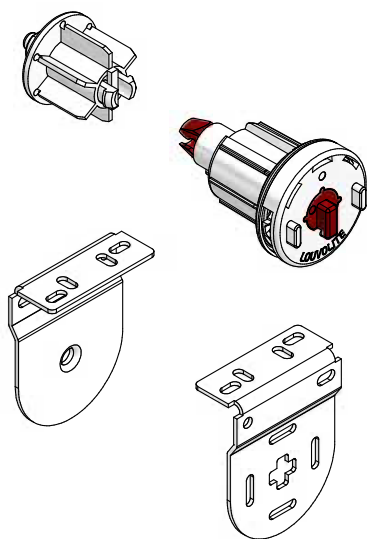
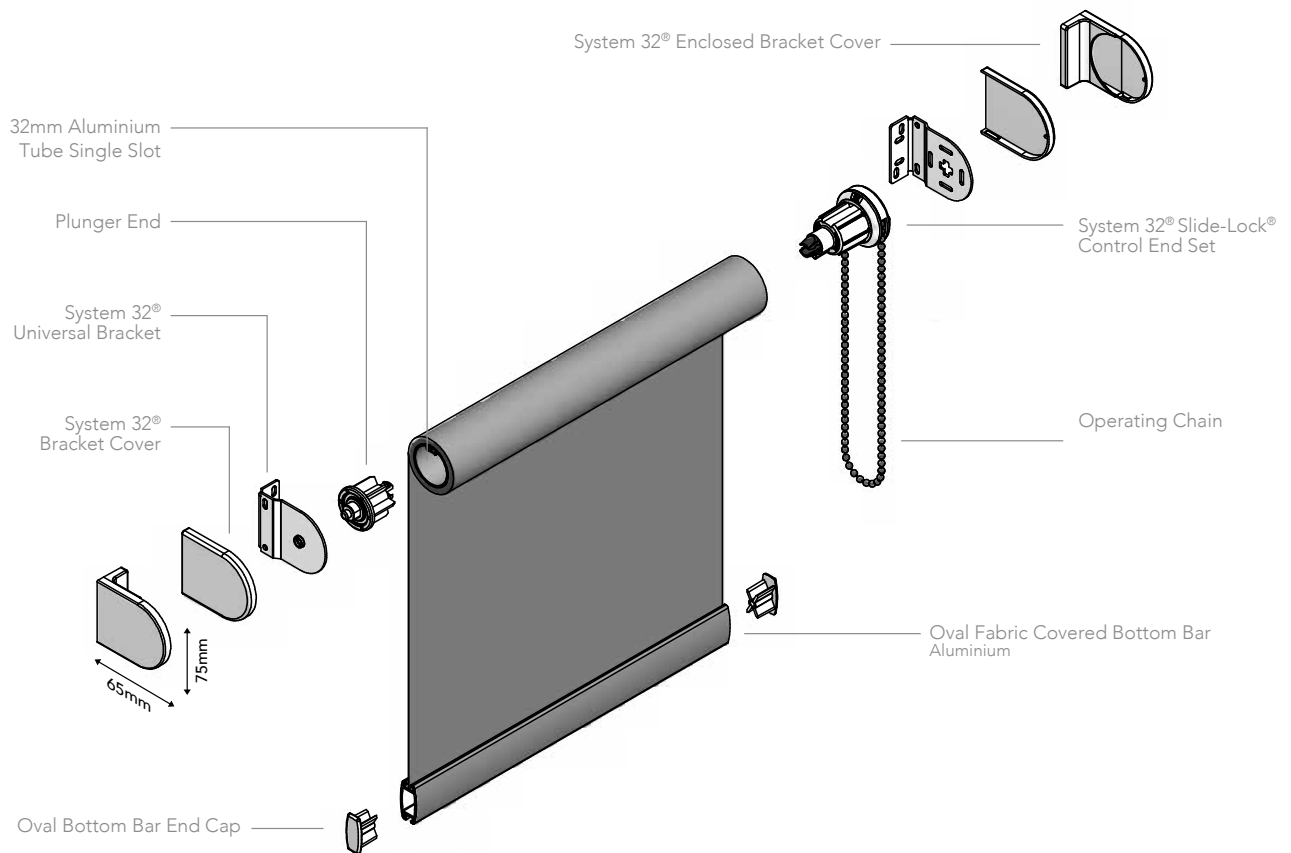


SYSTEM 32® ROLLER SYSTEM



- Designed and manufactured in the UK, all systems are 10 year life cycle tested to ensure long lasting performance.
- System 32® Slide-Lock® combines heavier holding weights with anti-fray features that ensure enhanced blind performance.
- Manufactured using high quality engineering grade polymer.
- Improved chain location for quick and easy on-site adjustment.
- Universal brackets and a spring idle end plunger enable easy and quick installation.