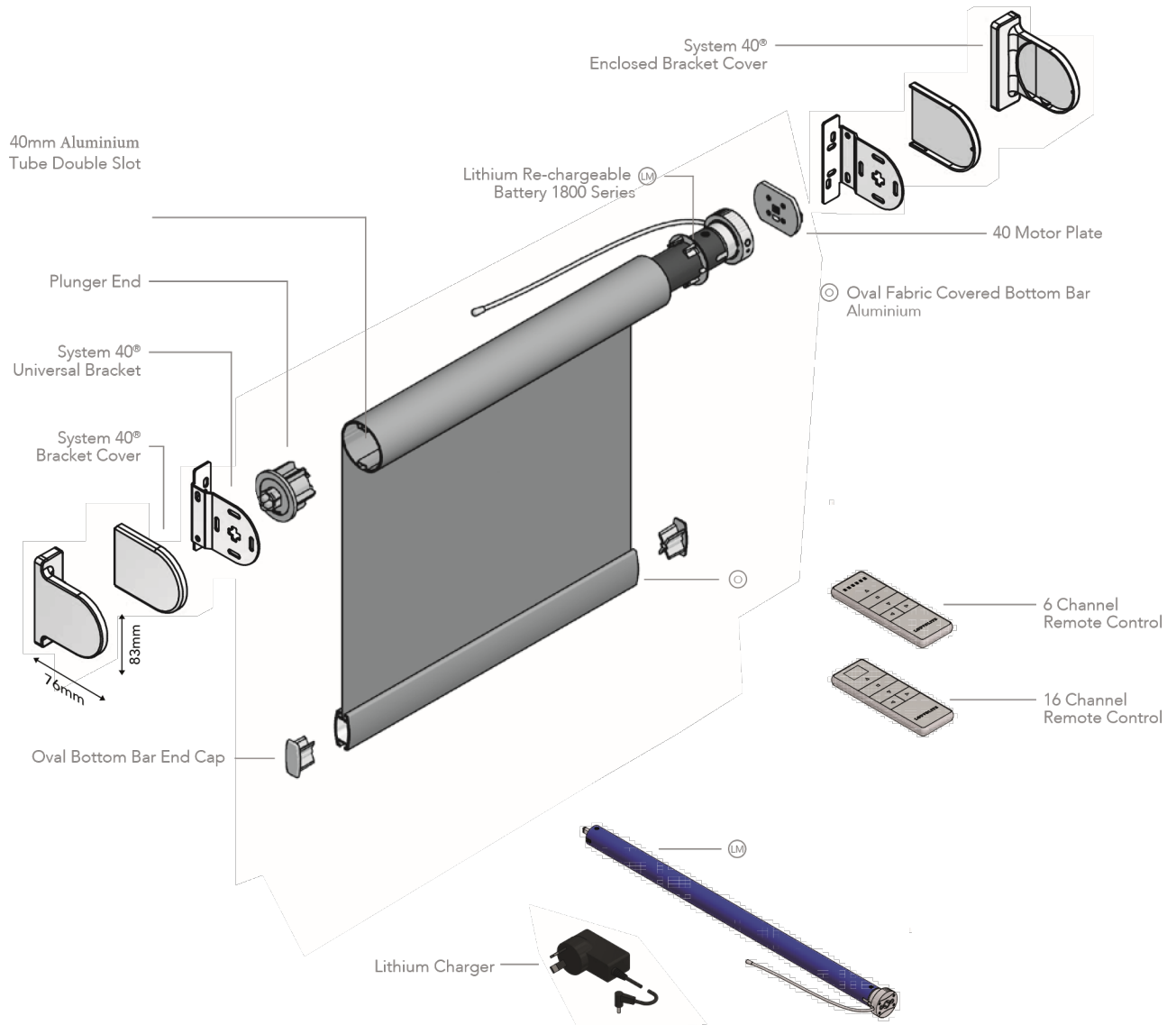


SYSTEM 40[®] MOTORISED ROLLER SYSTEM LITHIUM RE-CHARGEABLE BATTERY 1800 SERIES



- Operate blinds effortlessly and economically with the One Touch[®] Lithium re-chargeable 1800 Series Motor.
- Improved soft start and soft stop motor reduces sound levels.
- Manufactured using high quality engineering grade polymer.
- Easy and quick installation, no wiring needed.
- Child safe by design. Set up to four limits to stop blind at your chosen height.
- Conveniently operate multiple blinds from anywhere in the room with the 6 channel or 16 channel remote.
- Can be operated with the Smart Home Hub. Using wifi, any One Touch blinds can be operated either through the app on a phone or tablet anywhere in the world.
- Charge the Lithium motor with a 8.4v charger (4m cable).