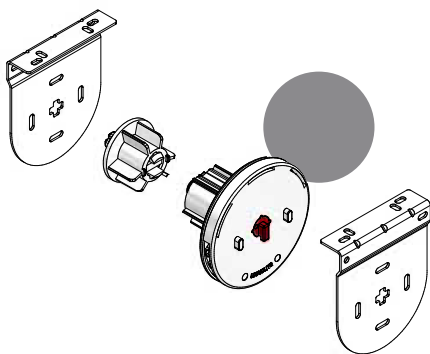
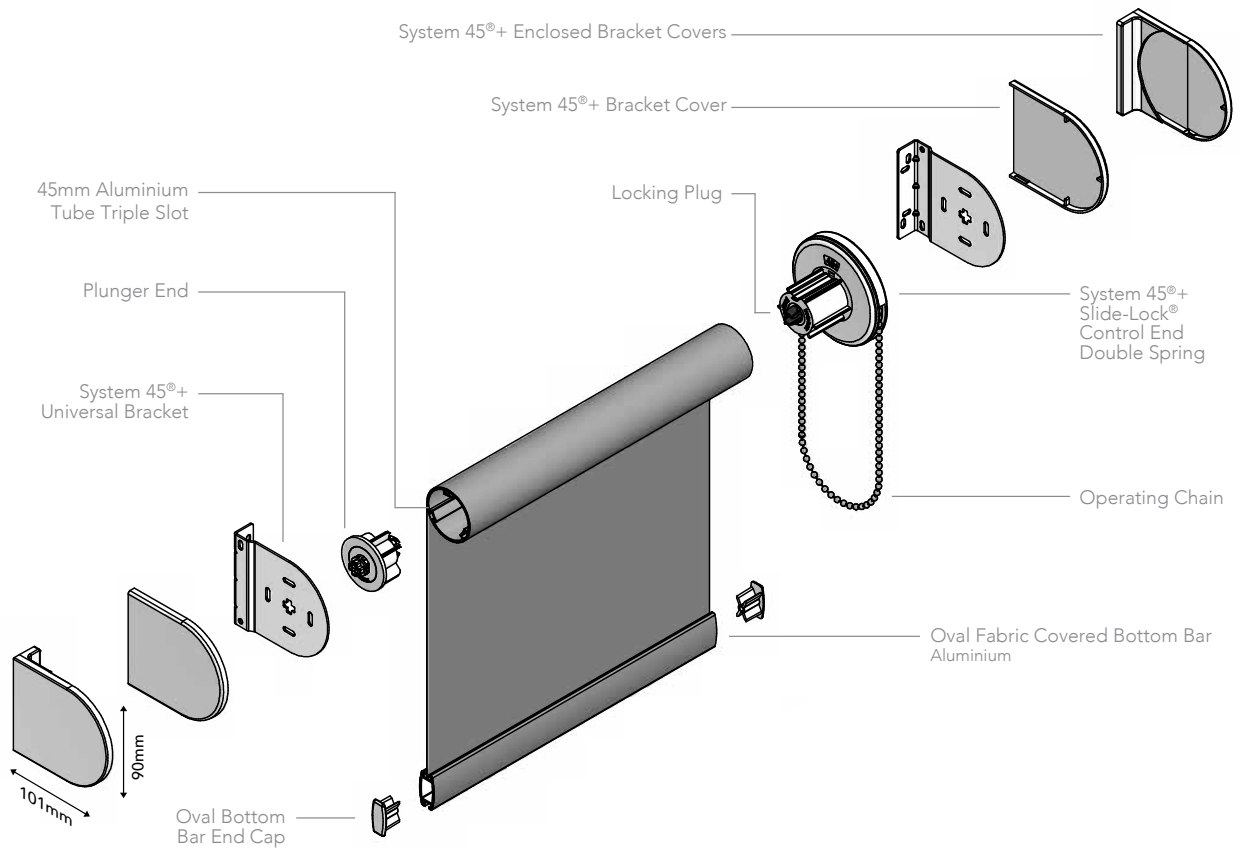


SYSTEM 45®+ ROLLER SYSTEM SL2 DOUBLE SPRING



- Designed and manufactured in the UK, all systems are 10 year life cycle tested to ensure long lasting performance.
- System 45+ Slide-Lock® combines heavier holding weights with anti-fray features that ensure enhanced blind performance.
- Improved chain location for quick and easy on-site adjustment.
- Manufactured using high quality engineering grade polymer.
- Easi-Lift™ option available for easier operation of larger blinds.
- Universal brackets and a spring idle end plunger enable easy and quick installation.
- Locking plug inside clutch ensures continued performance of larger blinds.